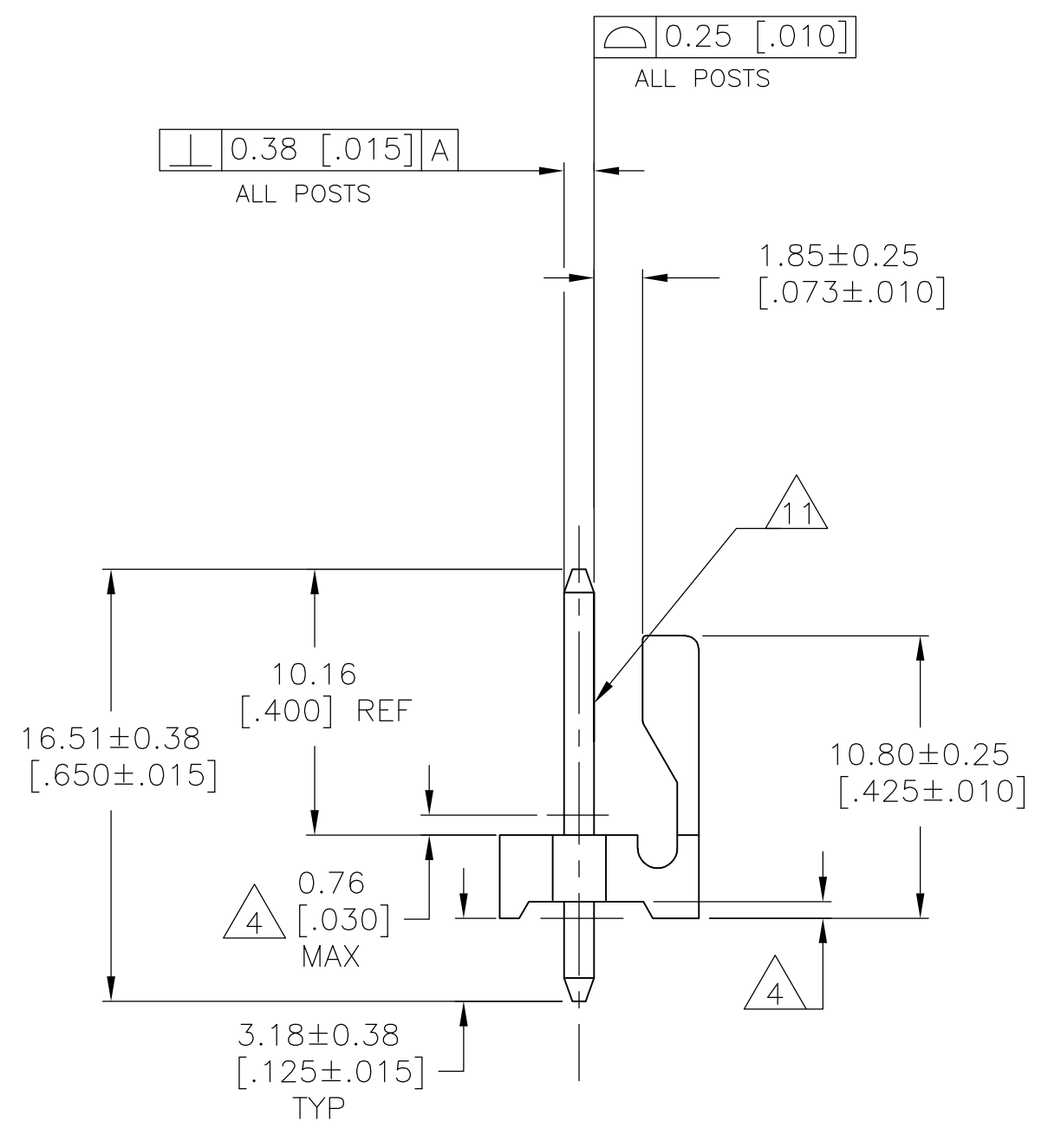
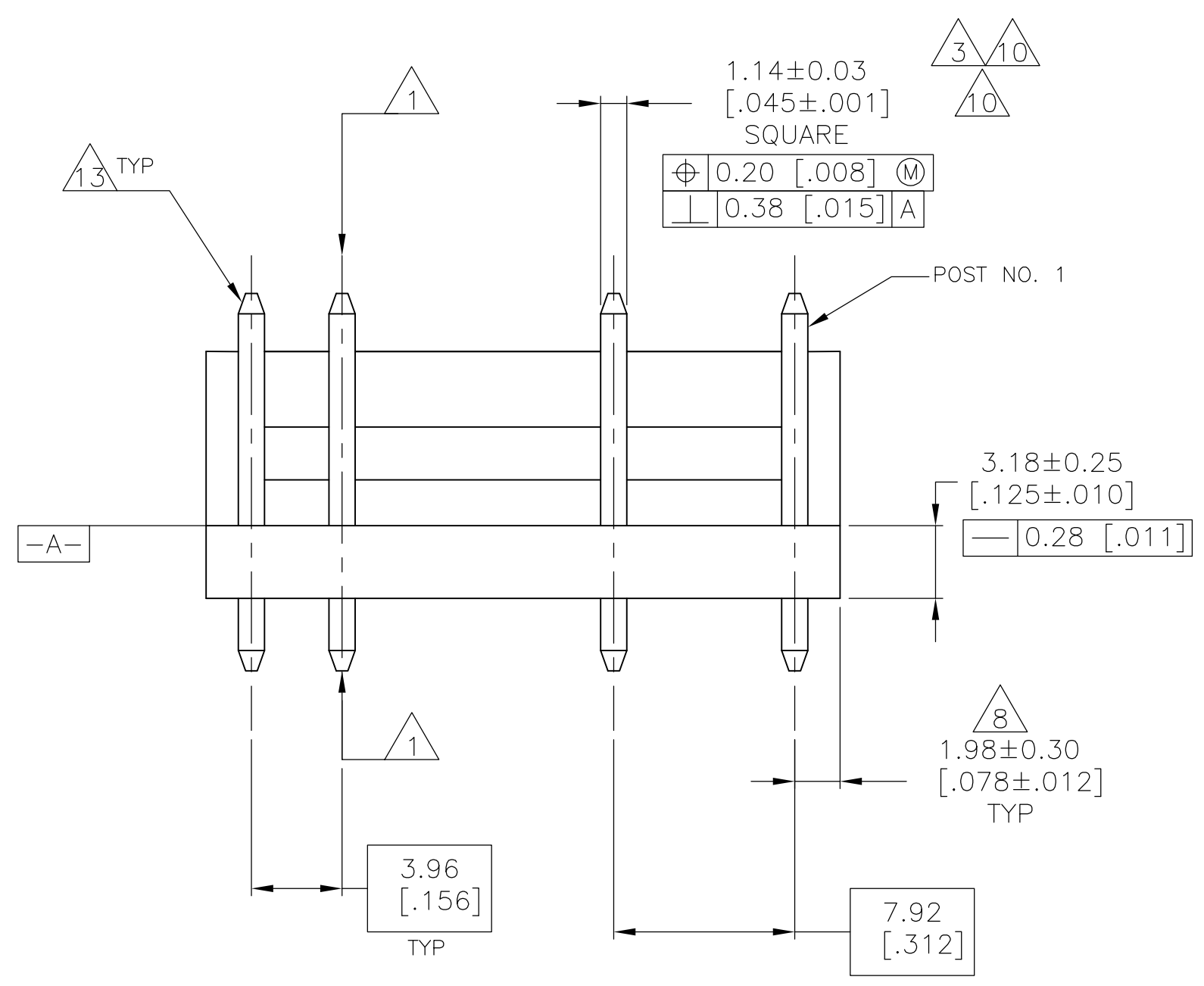
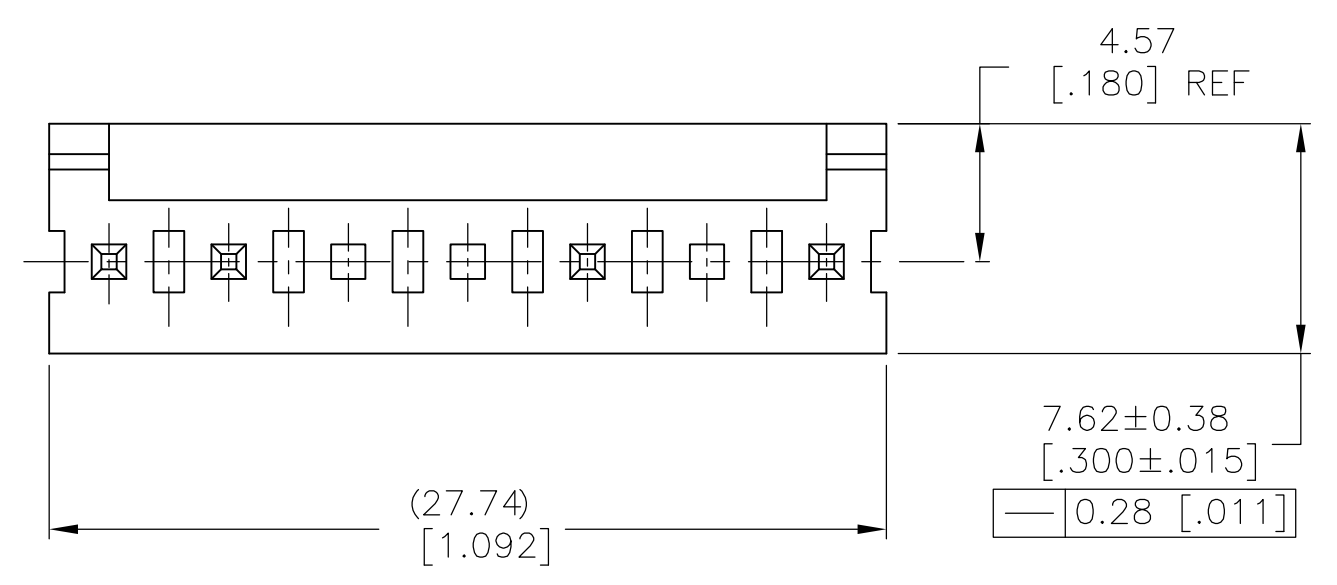
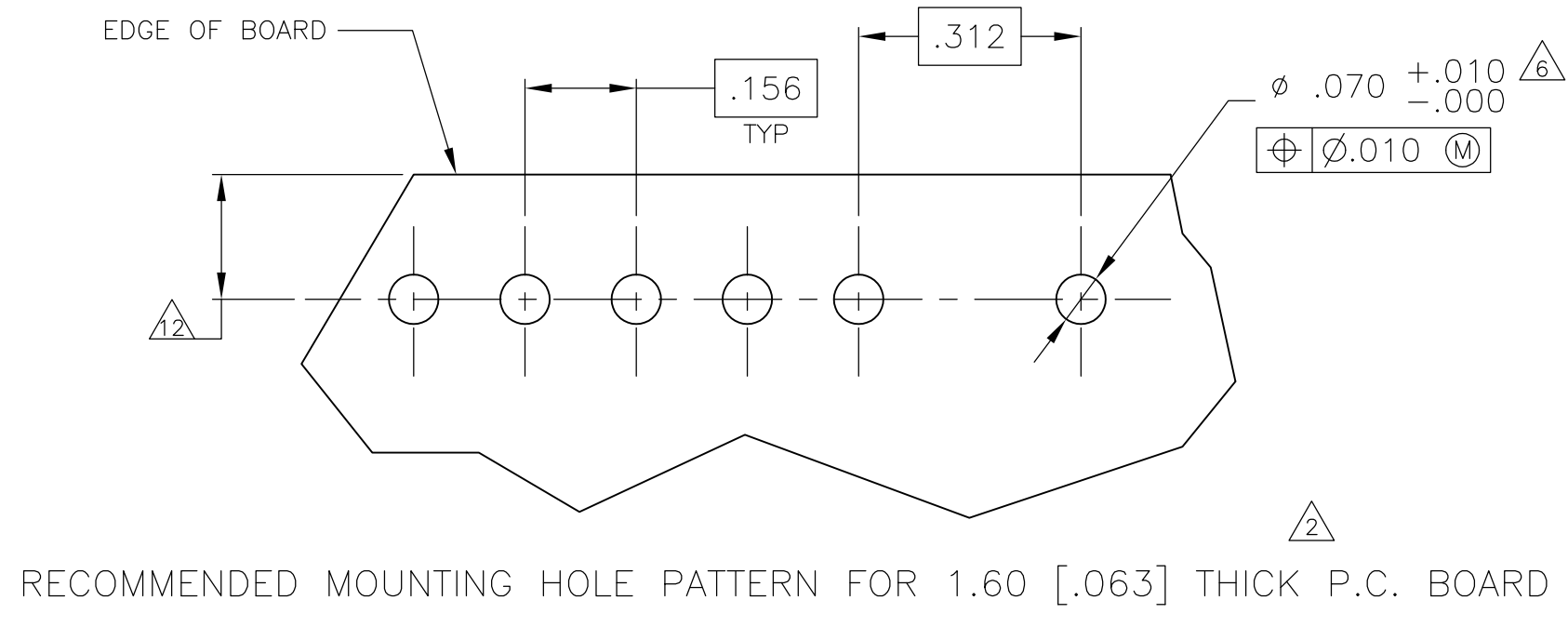


LOC		DIST		REVISIONS			
CM	00	P	LTR	DESCRIPTION	DATE	DWN	APVD
		AC	REVISED PER	ECO-12-016930	05OCT12	KH	SM



- 1 POST TO WITHSTAND 13 NEWTONS (3 LBS.) MIN. AXIAL FORCE IN BOTH DIRECTIONS SHOWN WITHOUT DISLODGING.
- 2 TOLERANCES APPLY TO SOLDER SIDE OF BOARD.
- 3 MEASURED AT SURFACE -A-
- 4 PLASTIC FLASH PERMITTED IN THIS AREA.
- 5 PARTS COMPLY WITH AMP SOLDER ABILITY SPEC. NO. 109-11-2
- 6 ONE HOLE MAY BE UNDERSIZED 1.65/1.52 [0.065/0.060] DIA. FOR ASSEMBLY RETENTION DURING WAVE SOLDERING.
- 7 MATERIAL: HEADER-THERMOPLASTIC POLYESTER
GLASS-FILLED 94-0 (NATURAL)
POST-COPPER ALLOY (TIN PLATED)
- 8 COORDINATE DIMENSIONS APPLIES FROM CENTER OF ACTUAL FEATURE.
- 9 PLASTIC BURRS CAUSED BY CUTOFF TOOLING ARE PERMITTED WITHIN THE MAXIMUM TOLERANCE ENVELOPE.
- 10 POST TO BE MEASURED WHEN STRIP IS HELD FLAT.
- 11 POST MUST WITHSTAND TWO 90° BENDS AGAINST EXTRUSION WITHOUT BREAKING.
- 12 DIMENSION SHOULD BE .175 MIN WHEN MATING WITH A MTA .156 CONNECTOR ASSY. OR A SL-.156 CONNECTOR ASSY.
- 13 PIN BURR OF .005 MAX. VERTICAL AND .003 MAX. HORIZONTAL PERMITTED AT POST TIPS ON BOTH ENDS.
- 14 SPECIAL PACKAGING VARIATION FOR IMPROVED PRODUCT PROTECTION.

13	5	2-643464-3
12	2	2-643464-2
	1,4,&6	1-643464-4
	2 & 5	1-643464-3
	2,4,&5	1-643464-2
	2,3,5,&6	1-643464-1
	4&6	1-643464-0
	3,6	643464-9
	4	643464-7
	2,4,&6	643464-6
	6	643464-5
	3	643464-4
	5	643464-3
	2	643464-2
	2 & 4	643464-1
	POST NUMBER OMITTED	PART NUMBER

1-643464-2 SHOWN

THIS DRAWING IS A CONTROLLED DOCUMENT.

DIMENSIONS: mm [INCHES]

TOLERANCES UNLESS OTHERWISE SPECIFIED:

0	PLC	±
1	PLC	±
2	PLC	±
3	PLC	± .005
4	PLC	±
	ANGLES	±

MATERIAL: 7

FINISH: 7

DWN: S. HOOVER 22MAY02

CHK: D. BOSSI 22MAY02

APP'D: D. BOSSI 22MAY02

NAME: MTA -156 HEADER ASSEMBLY, FRICTION LOCK, STRAIGHT, .045 SQUARE POST, TIN PLATED, 7 POSITION, OMITTED POST

PRODUCT SPEC:

APPLICATION SPEC:

SIZE: A1

DATE CODE: 00779

DRAWING NO: 643464

RESTRICTED TO: -

WEIGHT: -

CUSTOMER DRAWING: -

SCALE: 4:1

SHEET: 1 OF 1

REV: AC